

PENDALEX® P+ The multifunctional all-rounder

Glatz

Shade in Swiss Quality



Point of use



Fixations



house boat Hamburg



Majorca

Material and technology

Frame: Profiled pole (Ø 67 mm), pole and free-arm of aluminium with built-in gas pressure spring (lift 50 cm) for height adjustment, shell parts of fibreglass reinforced TSG synthetic material (thermoplastic foam casting), the guideways are of Teflon-modified high performance plastic, opening crank integrated. With a removable hand crank.

Shade roof: 10 rods of galvanized tempered spring steel, light grey, hard anodized aluminium ball-and-socket joint for canopy inclination in all directions.

Framematerial: anodized natural or anthracite powder-coated (RAL 5803 E71387 A10)



Frameform: round or rectangular

Shade cover: material class 5 (100 % polyacrylic approx. 300 g/m²)

Flounce: available with or without flounce

Protective cover: included in the standard equipment

Assortment

| Nominal size cm | Order no. Frame anodized natural without flounce | Order no. Frame anthracite without flounce | Order no. Frame anodized natural with flounce | Order no. Frame anthracite with flounce |
|---|--|--|---|---|
|  ¹⁰ Ø 300 | 014 00 300 171 | 014 00 300 301 | 014 00 300 170 | 014 00 300 300 |
| ¹⁰ Ø 325 | 014 00 325 171 | 014 00 325 301 | 014 00 325 170 | 014 00 325 300 |
| ¹⁰ Ø 350 | 014 00 350 171 | 014 00 350 301 | 014 00 350 170 | 014 00 350 300 |
|  ¹⁰ 285 × 230 | 014 00 285 171 | 014 00 285 301 | 014 00 285 170 | 014 00 285 300 |

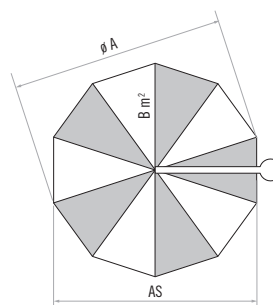
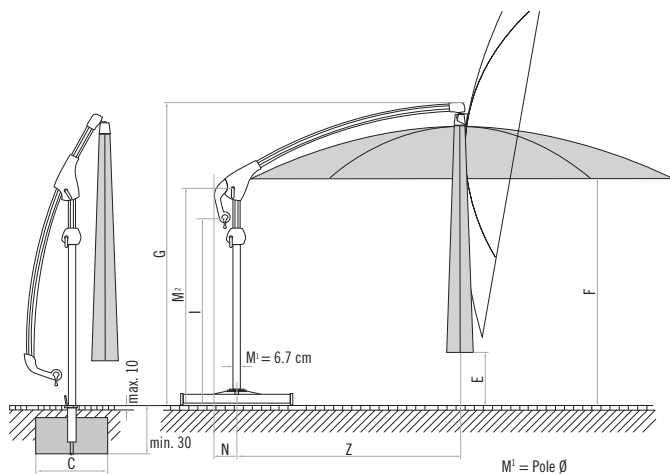
| Nominal size cm | Lateral distance cm | Area covered m ² | Crank height cm | Height closed cm | Clear headroom cm | Total height cm | Height of pole cm | Overhang at the back cm | Length of free-arm cm | Foundation cm | Minimum weight for base kg | max. wind speed open perm. km/h (wind force) |
|-------------------------|------------------------|--------------------------------|--------------------|---------------------|----------------------|--------------------|----------------------|-------------------------------|-----------------------------|------------------|----------------------------------|--|
| A | AS | B | I | E | F | G | M ² | N | Z | C | | |
| ¹⁰ Ø 300 | 286 | 6.6 | 146...196 | 61...111 | 175...225 | 235...285 | 167...217 | 17...103 | 89...175 | 60 × 60 | 90 | 20(4) |
| ¹⁰ Ø 325 | 310 | 7.8 | 146...196 | 48...98 | 175...225 | 235...285 | 167...217 | 17...103 | 89...175 | 60 × 60 | 90 | 20(4) |
| ¹⁰ Ø 350 | 335 | 9.0 | 146...196 | 36...86 | 175...225 | 235...285 | 167...217 | 17...103 | 89...175 | 60 × 60 | 120 | 20(4) |
| ¹⁰ 285 × 230 | - | 6.6 | 146...196 | 36...86 | 175...225 | 235...285 | 167...217 | 17...103 | 89...175 | 60 × 60 | 90 | 20(4) |

¹⁰ 10 parts

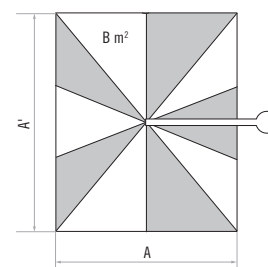
The listed measures represent extrapolated average values that may be slightly different on the product ($\pm 2\% \pm 5$ cm).

The height dimensions are based on the ground socket PX. With the base variants these vary slightly. With the variants with the ground socket M4 and mounting plate M4 / M8 the stated height dimensions are reduced by 9.5 – 10.5 cm. The max. wind speed limits as per our separate sheet apply only if the sunshade canopy is in a horizontal position and if there is a fix ground anchorage.

In the presence of several sunshades, the minimum distance between one sunshade and another and between sunshades and walls shall be 20 cm.



10 parts



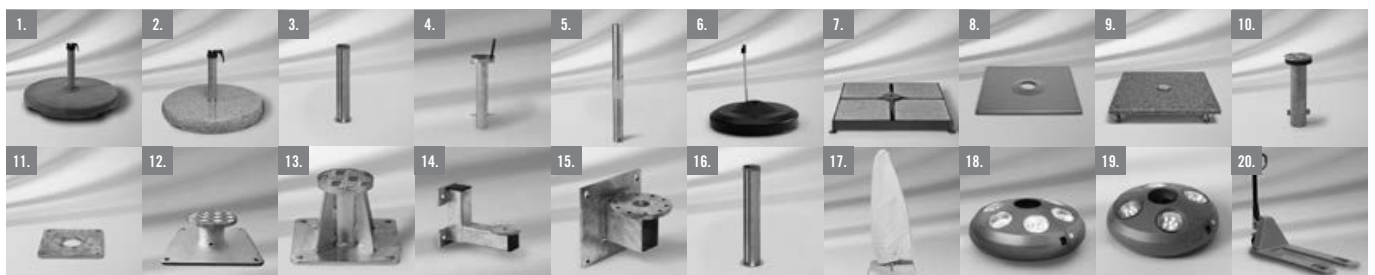
10 parts

Accessories

| | Order no. |
|---|----------------|
| Fixing option Z (support tube Z absolutely necessary) | |
| 1. Concrete base Z, 90 kg, Ø 75 × 11 cm | 350 01 109 523 |
| 2. Natural granite base Z, 90 kg, Ø 73 × 9 cm, natural stone | 350 01 109 512 |
| 3. Support tube Z, P+, galvanised steel | 350 01 201 400 |
| 3. Support tube Z, P+, high-grade steel 1.4301 / 304 | 350 01 201 500 |
| Fixing option PX (Connection tube PX absolutely necessary) | |
| 4. Ground socket PX, galvanised steel | 350 01 207 001 |
| 4. Ground socket PX, high-grade steel 1.4301 / 304 | 350 01 207 011 |
| 5. Connection tube PX, P+, galvanised steel | 350 01 206 050 |
| 5. Connection tube PX, P+, high-grade steel 1.4301 / 304 | 350 01 206 020 |
| Fixing option M4 (support tube M4 absolutely necessary) | |
| 6. ³ Base frame with castors M4, 150 kg, Ø 88 × 17 cm, anthracite (weight set absolutely necessary) | 350 01 102 700 |
| ³ Weights set, 4 pieces 35001105600, cement, for base with castors 150 kg, (weight set approx. 99 kg) | 350 01 103 600 |
| ³ Protective cover for base with castors M4, 150 kg | 350 01 602 600 |
| 7. Base M4, 120 kg, (for 8 plates 40 × 40 × 4 cm), 91 × 91 × 11.5 - 15.5 cm, galvanised steel (adjustable and levellable) (without plates) | 350 01 108 235 |
| 8. Cover for base M4, 88 × 88 × 5 cm, brushed aluminium (imitation) | 350 01 100 400 |
| Set of castors for base M4 (maximum weight 240kg), Ø 5 cm, H= 5.5 cm, galvanised steel | 350 01 100 500 |
| 9. ³ Granite base M4, 120 kg, 90 × 90 × 17 cm, natural stone with castors | 350 01 109 470 |
| 10. Ground socket M4, galvanised steel | 350 01 226 510 |
| 11. Mounting plate M4 / M8, 30 × 30 × 1.5 cm, galvanised steel | 350 01 226 921 |
| 12. Mounting plate M4 special, for installation height 50 – 149 mm, galvanised steel | 350 01 226 932 |
| 13. Mounting plate M4 special, for installation height 150 – 350 mm, galvanised steel | 350 01 226 930 |
| 10. Mounting plate M4 for isolated grounds, installation height made to measure, high-grade steel 1.4301 / 304 | 350 01 229 730 |
| 14. Wall console M4, extension 480 mm, galvanised steel | 350 01 229 405 |
| 14. Wall console M4, extension 100 mm, galvanised steel | 350 01 229 410 |
| 15. ¹ Support tube M4, P+, steel graphite grey | 350 01 200 232 |
| 15. Support tube M4, P+, galvanised steel | 350 01 200 235 |
| Slabs for base M4 | |
| Slab set, 8 pieces, 40 × 40 × 4 cm, (ca. 110 kg), concrete | 350 01 226 908 |
| Slab set, 8 pieces, 40 × 40 × 4 cm, (ca. 115 kg), 4 pieces concrete, 4 pieces concrete in granite-look | 350 01 226 909 |
| Protective cover, coated polyester fabric | |
| 16. Protective cover with zip and rod | 350 01 609 930 |
| Miscellaneous items | |
| 17. Rechargeable battery light Osyryon 6 for pole Ø 30 – 50 mm, battery charger with european plug (type C) included (1 accumulator included) | 350 01 557 950 |
| 18. Rechargeable battery light Osyryon 4 for pole Ø 30 – 50 mm, battery charger with european plug (type C) included (1 accumulator included) | 350 01 557 910 |
| Spare accu, 3.6 V, 2500 mAh (for Osyryon 4 & 6) | 350 01 557 920 |
| 19. ¹ Base transporter for sockets weighing 120 kg, 180 kg, 240 kg, 430 kg and 620 kg | 350 01 909 000 |

¹while stocks last

³only suitable for smooth, joint free surface coverings





Dubai



Majorca



Morcote, Ticino